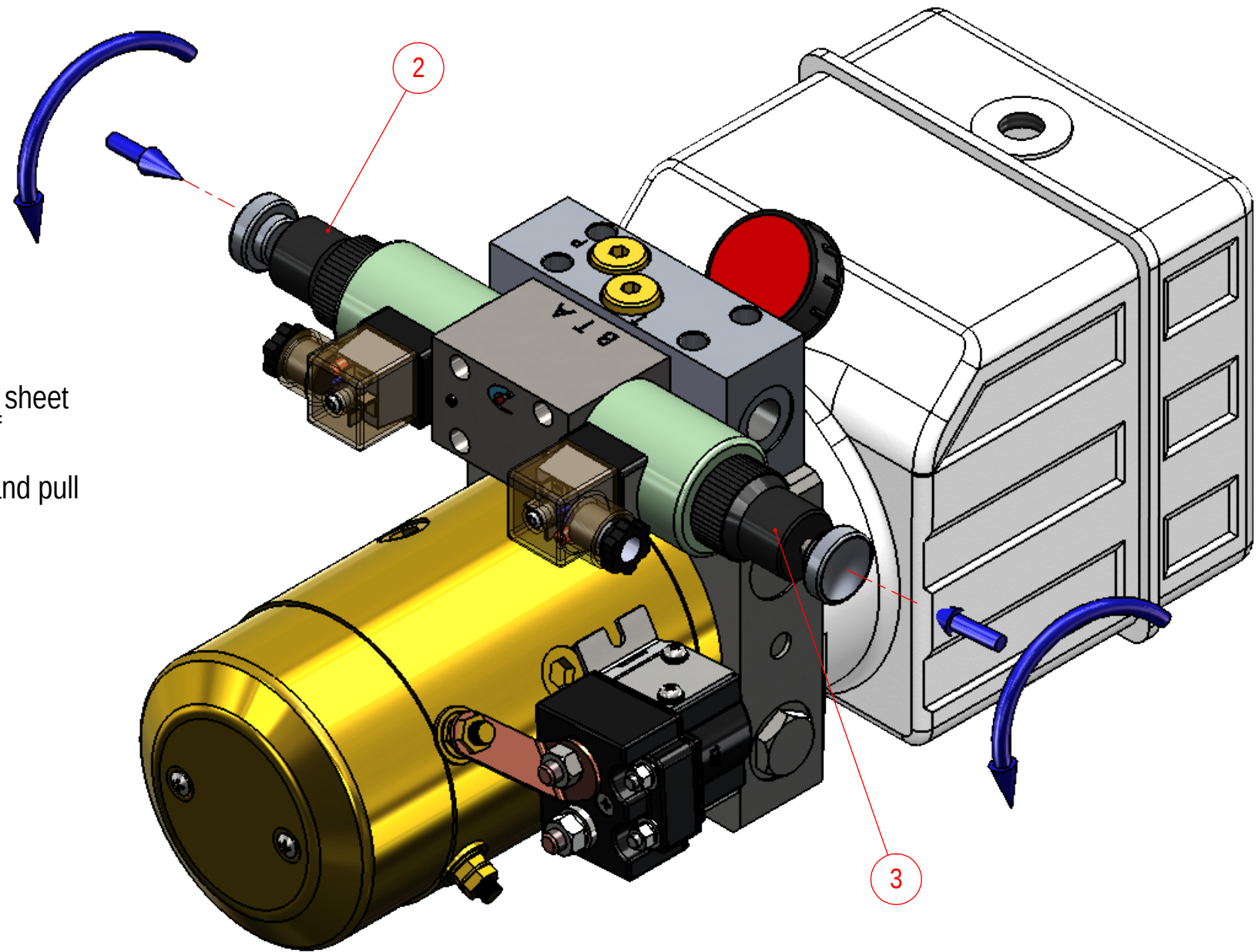
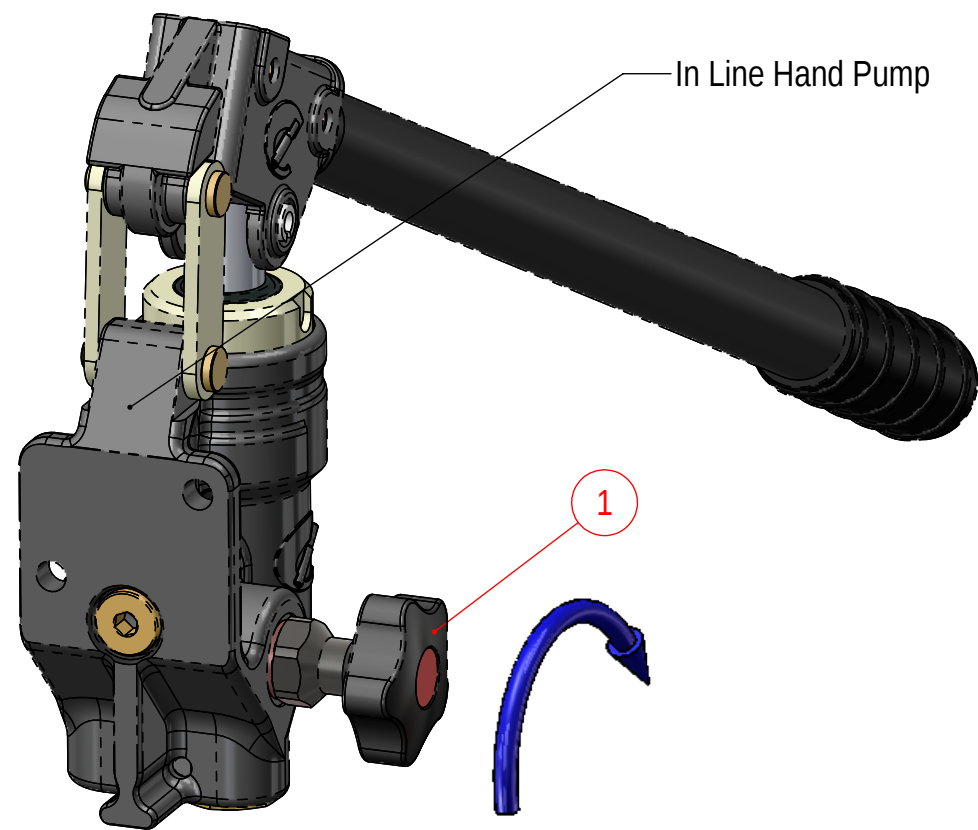



In the event of failure to open/close sheet with remote control carry out the following procedure:-

- 1) Locate the In line hand pump and ensure that the shut off valve item 1 is closed, ie rotate valve clockwise, Note it should be in the closed position after installation on vehicle
- 2) Dependant on requirement to either manually open or close the sheet locate Cetop3 Override Cap items 2 & 3 (which will be generally be located in the power pack housing at the front of the body)
- 3) Push in the button on either item 2 or 3, approx 7mm travel and then rotate button 90 degrees either clockwise or anticlockwise, button will remain in the depressed position.
- 4) Operate the lever on the in line hand pump several times and a resistance to movement should be created, this is the hand pump priming the circuit. After several more movements of the lever one of the hydraulic motors should begin to rotate under pressure. Continue to operate the lever until the sheet is fully open or closed. This should take approx 1 min dependant on speed of operating the lever (Note a reasonable amount of force is required)
- 5) When satisfied with position of sheet, rotate the button in either item 2 or 3 and pull out the button, this will return the Cetop 3 valve into the mid position.



ÜÖT UXÖÄÖŠÖWÜÜÜ ÖPÖÄJPCÖUÄÖÖÖÜ		B5A 9	85H9	
T ÖVÖÜÖÖŠ		8F5K B	8F	
Y ÖÖPÖVÄ		7 < 97 ? 98		HFHÖ.
ÖÖÖP ÖPÖPÖ		9B: '5DDF"		Clear Span manual override instructions
I BÖGGC H: 9FK Ö9GÖH98. 8 A 9BGC BG5F9 B A A HC ÖF5B7 9G : F57 HC B5 ± \$%) 5B: I ÖF. A 57 < ± \$) *69B8 ± % HK C DÖ57 9897 A 5 Ö' ± \$)% H: F99DÖ57 9897 A 5 Ö' ± \$)%		A: '5DDF"		
8C BCHG7 5 Ö98F5K B;		E "5"	7 C A A 9BHG	G7 5 Ö. '% & K 9 ÷ < H' G < 99H % C : %